



Aladdin Lighting Technologies
681 International Blvd. / Clarksville, TN 37040/USA
Phone: 800-457-5267 / Fax:931-647-4517
sales@aladdinltg.com www.aladdinltg.com

December 2009

HOW TO INSTALL ALADDIN LED T8 RETROFIT TUBES

STEP 1. Unpack the Product:

- a) Unpack and carefully examine the product from top to bottom.
- b) Report any damage and save all packing materials, if any part was damaged during transport.
- c) Do not attempt to use this product, if it is damaged.

STEP 2. Planning the Installation: This device installation requires planning to ensure successful installation with minimal complications and down time.

STEP 3. User Responsibilities: It is the responsibility of the contractor, installer, purchaser, owner, and user to install, maintain, and operate the device in such a manner as to comply with all state and local laws, ordinances, and regulations.

STEP 4. Product Installation Steps:

- 1) Disconnect power to fixture at source. **DO NOT SIMPLY SWITCH OFF FIXTURE.**
- 2) Remove existing fluorescent tubes and safely set aside.
- 3) Disconnect (cut) wires to ballast leaving enough wire to be tied off with wire nuts.
- 4) Tie-off remaining wires attached to ballast with wire nuts.
- 5) See wiring diagram shown on reverse for your type lamp fixture (i.e., 1-bulb, 2-bulb, 4-bulb and etc.) and re-wire fixture.
- 6) Install Aladdin LED Retrofit Tube(s) into fixture.
- 7) Affix included warning labels to fixtures near lamp connection/sockets of fixture so they are visible to bulb installers.
- 8) Re-connect power supply and turn on switch. Tube will light.

WARNING

Risk of fire or electric shock. Install the Aladdin T8 retrofit LED tube(s) only in luminaires that have the construction features and dimensions shown in the photographs and/or drawings shown on reverse of this sheet.

NOTE: This user guide is intended to be used as a reference only. Installation should be done by a fully qualified electrician or technician. This document should never be considered as a substitute for any provision of a regulation or state and/or local code. Please read the entire user guide to fully understand and safely use this product.

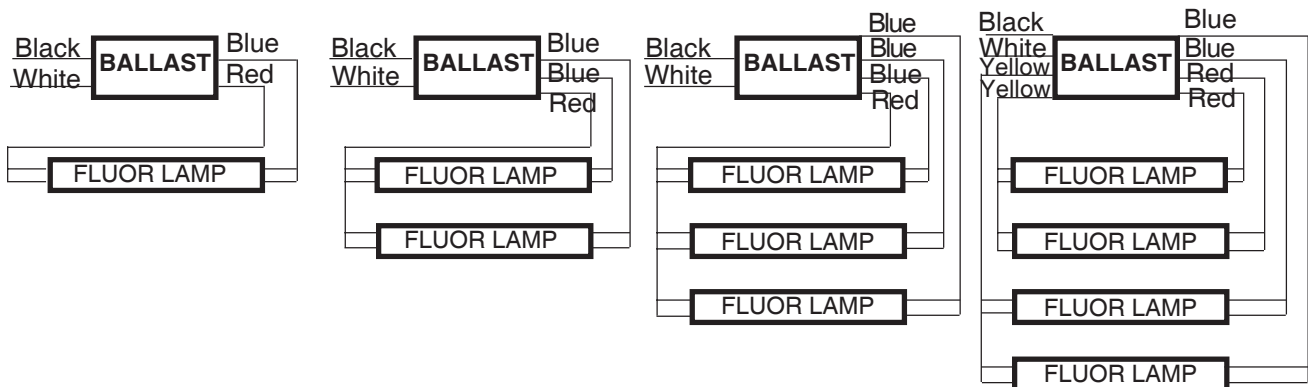
***** Specifications are subject to change without notice*****

December 2009

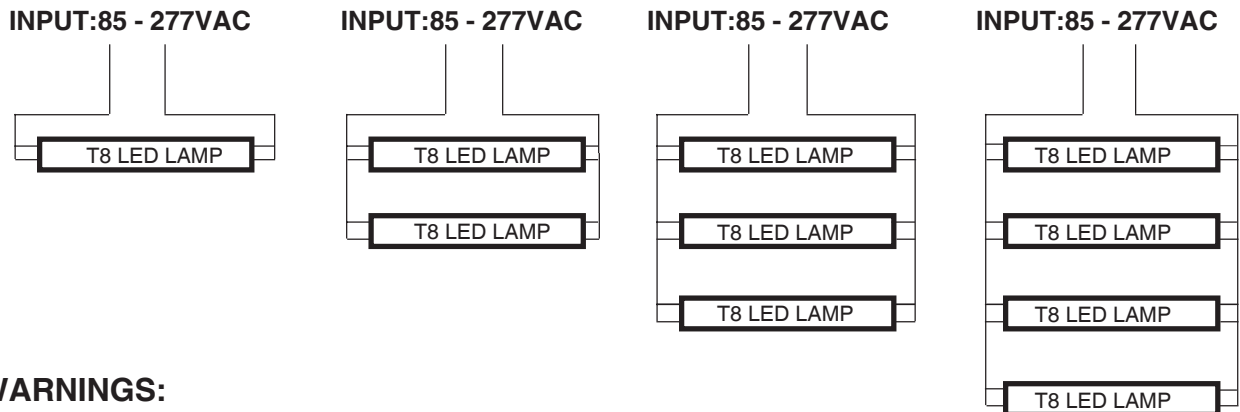
ALADDIN LED T8 RETROFIT WIRING INSTRUCTION DIAGRAMS

(See detailed written instructions reverse side)

BEFORE ALADDIN INSTALLATION:



AFTER NEW ALADDIN INSTALLATION:



WARNINGS:

- Risk of electric shock. Ensure that the power supply is off, when wiring sections of the device.
- The device should be installed by a qualified electrician or technician in accordance with all relevant local codes.
- Use only LED bulbs specified.
- To prevent wiring damage or abrasion, do not expose wiring to edges of sheet metal or other sharp objects.
- This device is not intended for use with emergency exit fixtures or emergency exit lights.